

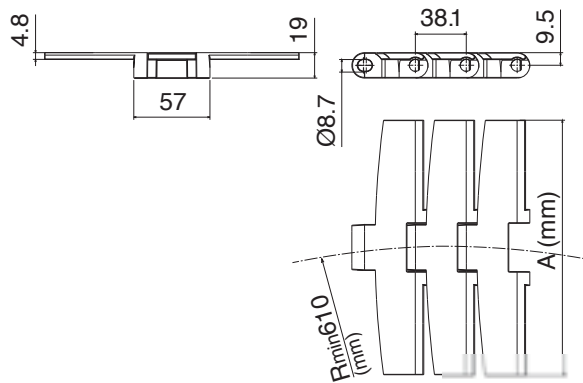
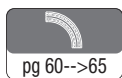
882 M catena curvilinea / Sideflexing chain / kurvengängige Scharnierbandkette



Part	Article-Nr.	Ref.	A	Weight Kg/m
1113	11130107	882 M K750	190,5	2,14
1113	11130108	882 M K1000	254,0	2,45
1113	11130109	882 M K1200	304,8	2,68

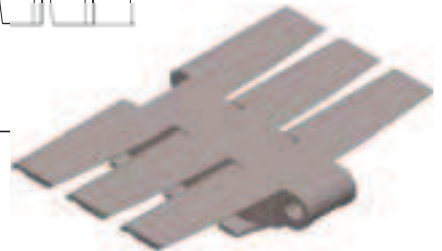
	Material	Breaking load
01	LF Standard Material Acetal Resin	10000 N
03	MX Available also in Max Performance	9000 N
08	MK	9500 N

Pins: Ferritic Stainless Steel



Max Performance
Magnetic System

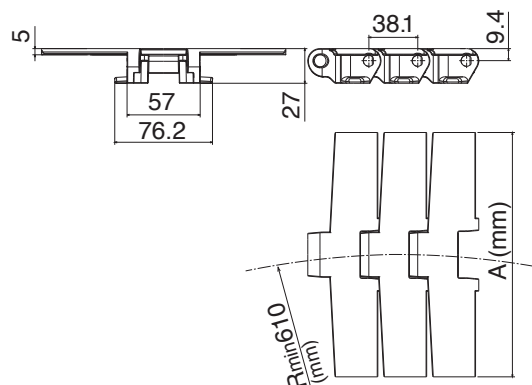
882 TAB catena curvilinea / Sideflexing chain / kurvengängige Scharnierbandkette



Part	Article-Nr.	Ref.	A	Weight Kg/m
1114	11140107	882 TAB K750	190,5	2,45
1114	11140108	882 TAB K1000	254,0	2,85
1114	11140109	882 TAB K1200	304,8	3,40

	Material	Breaking load
01	LF Standard Material Acetal Resin	10000 N
03	MX Available also in Max Performance	9000 N
08	MK	9500 N

Pins: Austenitic Steel



Max Performance
Tab System

882 M GT catena curvilinea / Sideflexing chain / kurvengängige Scharnierbandkette



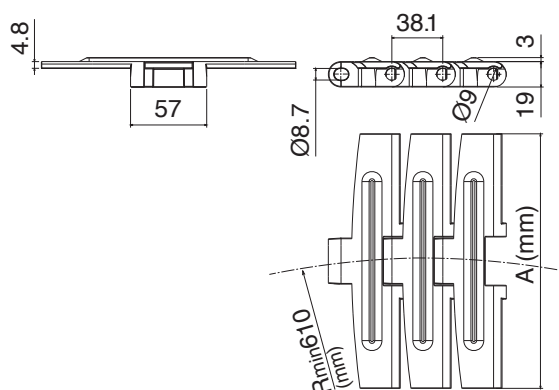
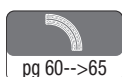
Part	Article-Nr.	Ref.	A	Weight Kg/m
1115	11150107	882 M GT K750	190,5	2,10
1115	11150108	882 M GT K1000	254,0	2,45
1115	11150109	882 M GT K1200	304,8	2,74

	Material	Breaking load
01	LFA Standard Material Acetal Resin	10000 N
03	MX Available also in Max Performance	9000 N

Rubber

TPR

Pins: Ferritic Stainless Steel



Max Performance
Magnetic System