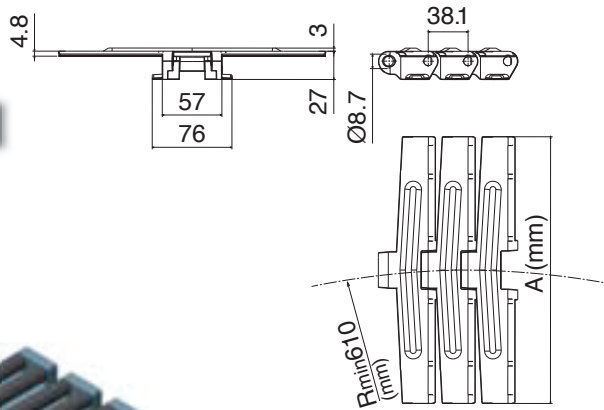




882 TAB GT catena curvilinea / Sideflexing chain / kurvengängige Scharnierbandkette

Tab System

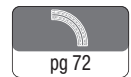


Part	Article-Nr.	Ref.	A	Weight Kg/m
1116	11160107	882 TAB GT K750	190,5	2,37
1116	11160108	882 TAB GT K1000	254,0	2,67
1116	11160109	882 TAB GT K1200	304,8	2,92

	Material	Breaking load
01	LFA Standard Material Acetal Resin	10000 N
03	MX Available also in Max Performance	9000 N

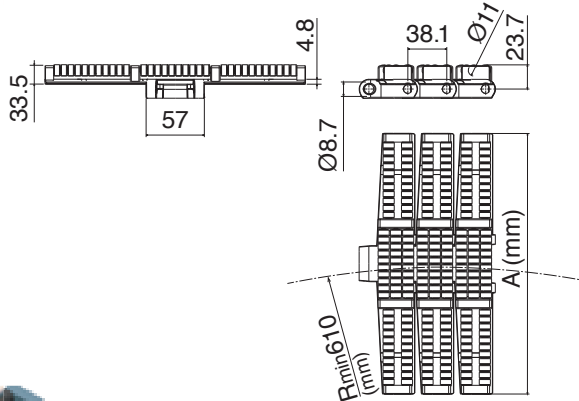
Rubber
TPR

Pins: Austenitic Steel



882 M LBP catena curvilinea / Sideflexing chain / kurvengängige Scharnierbandkette

Magnetic System

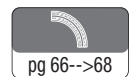


Part	Article-Nr.	Ref.	A	Weight Kg/m
1117	11170107	882 M LBP K750	190,5	3,92
1117	11170108	882 M LBP K1000	254,0	4,94
1117	11170109	882 M LBP K1200	304,8	5,82

	Material	Breaking load
01	LFA Standard Material Acetal Resin	10000 N
03	MX Available also in Max Performance	9000 N

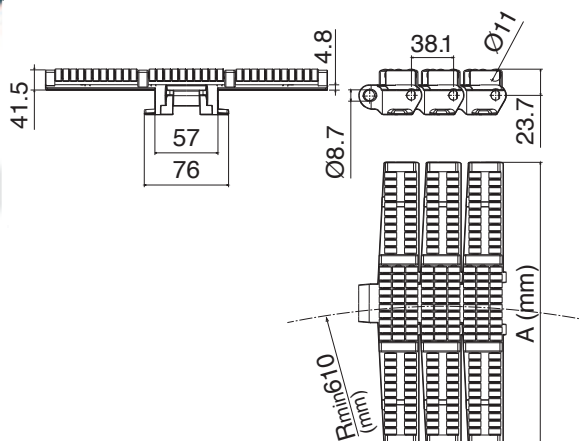
Roller
Acetal Resin

Pins: Ferritic Stainless Steel



882 TAB LBP catena curvilinea / Sideflexing chain / kurvengängige Scharnierbandkette

Tab System



Part	Article-Nr.	Ref.	A	Weight Kg/m
1118	11180107	882 TAB LBP K750	190,5	4,70
1118	11180108	882 TAB LBP K1000	254,0	5,95
1118	11180109	882 TAB LBP K1200	304,8	6,55

	Material	Breaking load
01	LFA Standard Material Acetal Resin	10000 N
03	MX Available also in Max Performance	9000 N

Roller
Acetal Resin

Pins: Austenitic Steel

