

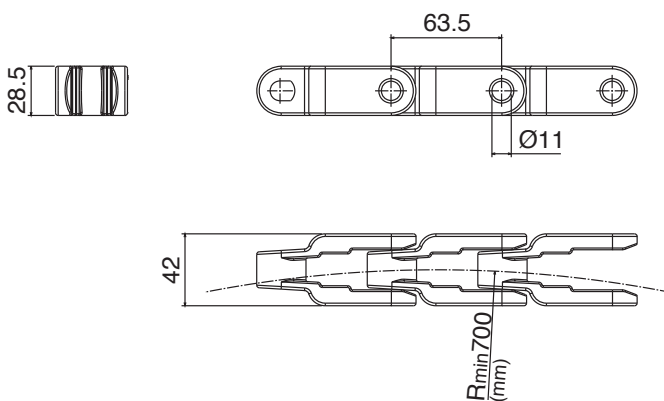
CC 600-CC 600TAB



CC 600 catena curvilinea / Sideflexing chain / kurvengängige Scharnierbandkette

Part	Article-Nr.	Ref.	Breaking load	Weight Kg/m
1122	11220400	CC 600	14000 N	1,35

Material	
04	LFN Standard Material Acetal Resin
03	MX Available also in Max Performance



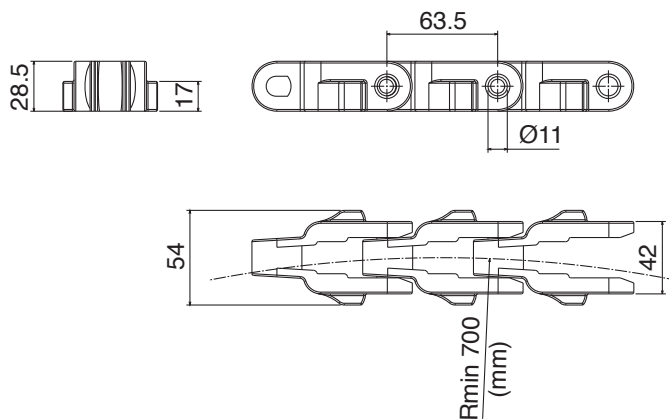
Pins: Stainless Steel



CC 600 TAB catena curvilinea / Sideflexing chain / kurvengängige Scharnierbandkette

Part	Article-Nr.	Ref.	Breaking load	Weight Kg/m
1123	11230400	CC 600 TAB	14000 N	1,45

Material	
04	LFN Standard Material Acetal Resin
03	MX Available also in Max Performance



Pins: Stainless Steel

