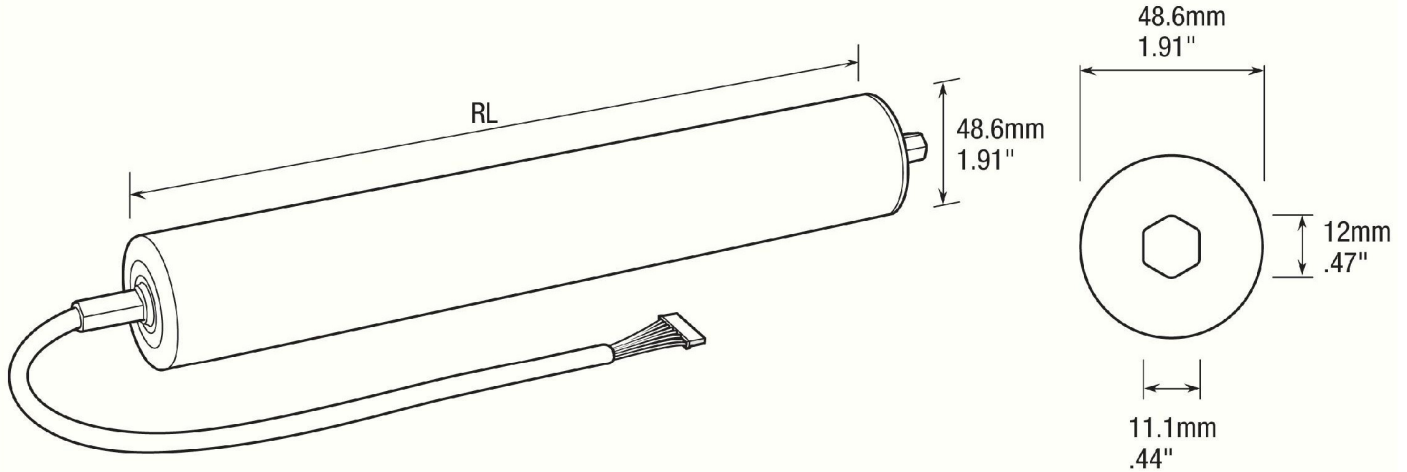


# 20W - Low cost

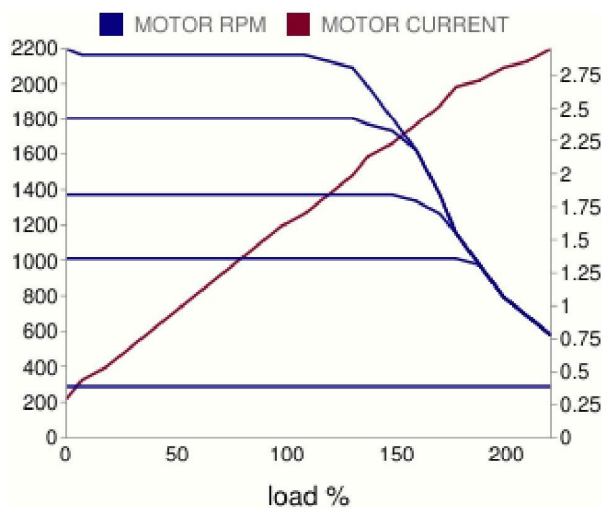
PR-AD-xx-xxx-x-x-xxxx  
 20 W  
 24V DC



For reference only, see CAD drawing for actual dimension data.

## Roller Basics

Output (W)	Speed Code	Lower Speed (m/min)	Upper Speed (m/min)	Starting Torque (N-m)	Operating Torque (N-m)	Starting (A)	Operating (A)
20	20	2.5	18.3	5.6	1.9	2.6	1.8
20	30	4.2	30.5	3.4	1.1	2.6	1.8
20	40	5.1	37.2	2.7	0.9	2.6	1.8
20	70	9.2	66.9	1.5	0.5	2.6	1.8



## Minimum Roller Length

Speed Code	Standard No Grooves (mm)	Standard Two Grooves (mm)	Brake No Grooves (mm)	Brake Two Grooves (mm)
20	325	360	n/a	n/a
30	325	360	n/a	n/a
40	325	360	n/a	n/a
70	306	341	n/a	n/a

Information based on 48.6mm dia. with EZ-24 card ( for Tapered 35W roller, above data is measured at 600mm RL )