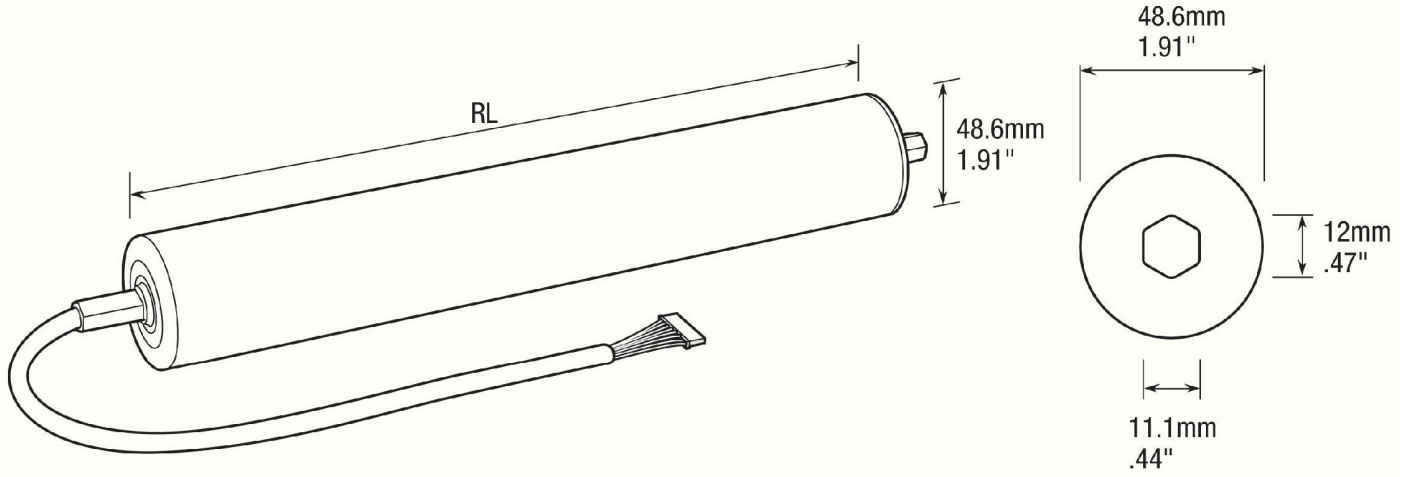


35W - Medium torque

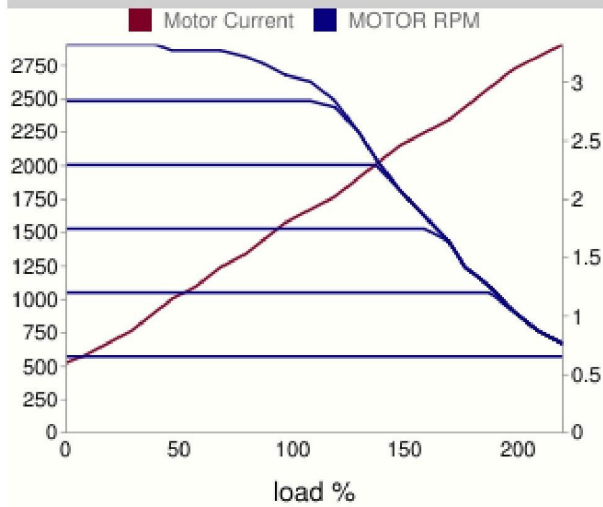
PR-AD-xx-xxx-x-x-xxxx
 35 W
 24V DC



For reference only, see CAD drawing for actual dimension data.

Roller Basics

Output (W)	Speed Code	Lower Speed (m/min)	Upper Speed (m/min)	Starting Torque (N-m)	Operating Torque (N-m)	Starting (A)	Operating (A)
35	25	4.9	26.8	6.3	2.0	3.5	2.0
35	30	6.0	32.7	5.1	1.6	3.5	2.0
35	40	8.2	44.6	3.8	1.2	3.5	2.0
35	50	10.0	54.5	3.1	1.0	3.5	2.0
35	95	18.0	98.0	1.7	0.5	3.5	2.0



Minimum Roller Length

Speed Code	Standard No Grooves (mm)	Standard Two Grooves (mm)	Brake No Grooves (mm)	Brake Two Grooves (mm)
25	300	344	349	391
30	300	344	349	391
40	300	344	349	391
50	300	344	349	391
95	290	336	338	368

Information based on 48.6mm dia. with EZ-24 card (for Tapered 35W roller, above data is measured on 600mm RL)