

PRP Series Plastic Gravity / Powered Rollers Medium Duty

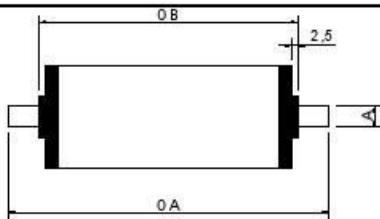


PRP series are general purpose Plastic rollers with sealed precision bearing (pop metric) for manual/powered applications

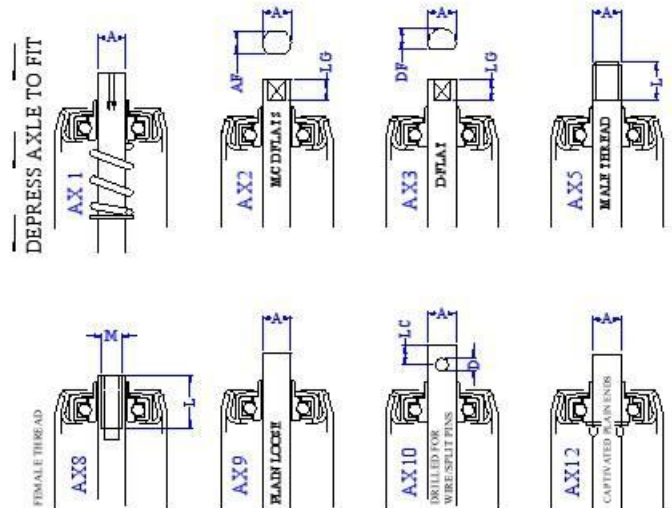
Found in >	MATERIAL	EXTRAS
Belt Conveyors	FOOD approved Rigid PVC tube	Stainless steel Bearing & Axle
Farming Equipment		BZP steel axle
Vegetable Graders		
Food Inspection Tables		

ROLLER DIAMTER	TUBE COLOUR	ROLLER TYPE	AXLE	AXLE	BEARING TYPE
Ø40.5 x2 wall	BLUE	PRP-40	Ø11 Ø15	11H	PLASTIC+6002
Ø50 x2.8 wall	BLUE	PRP-50	Ø10 Ø11 Ø12 Ø14	11H	PLASTIC+6003
Ø60 x3 wall	BLUE	PRP-60	Ø10 Ø11 Ø12 Ø14	11H	PLASTIC+ 6003
Ø60 x3 wall	GREY	PRP-60G	Ø10 Ø11 Ø12 Ø14	11H	PLASTIC+6003
Ø63 x4 wall	BLUE	PRP-63	Ø10 Ø11 Ø12 Ø14	11H	PLASTIC+6003
Ø63 x4 wall	GREY	PRP-63G	Ø10 Ø11 Ø12 Ø14	11H	PLASTIC+6003
Ø90 x7 wall	DARK GREY	PRP-90HD	Ø20* Ø25*	-	PLASTIC+6004/6004

IMPORTANT: AXLES MARKED * DO NOT HAVE A BEARING BOSS



ROLLER TYPE =	
AXLE LENGTH OA =	
OVER BOSS OB =	
AXLE SIZE A=	
AXLE MATERIAL =	
AXLE TYPE AND DIMENSIONS =	
QUANTITY REQUIRED =	
NOTES:	



Company Name and address:-

Signed..... Print.....

Date:

Purchase order No.:

Please sign & return Order