

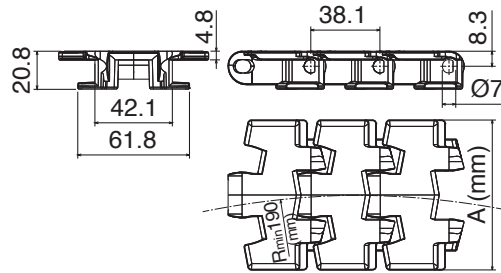
878 TAB catena curvilinea / Sideflexing chain / kurvengängige Scharnierbandkette



Part	Article-Nr.	Ref.	A	Weight Kg/m
1119	11190102	878 TAB K325	82,5	1,06
1119	11190105	878 TAB K450	114,3	1,18

	Material	Breaking load
01	LF Standard Material Acetal Resin	6000 N
03	MX Available also in Max Performance	5000 N
08	MK	5700 N

Pins: Ferritic Stainless Steel



Tab System

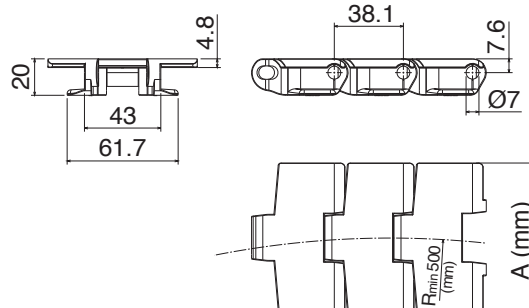
879 TAB catena curvilinea / Sideflexing chain / kurvengängige Scharnierbandkette



Part	Article-Nr.	Ref.	A	Weight Kg/m
1125	11250102	879 TAB K325	82,5	1,01
1125	11250105	879 TAB K450	114,3	1,13

	Material	Breaking load
01	LF Standard Material Acetal Resin	6000 N
03	MX Available also in Max Performance	5000 N
08	MK	5700 N

Pins: Ferritic Stainless Steel



Tab System