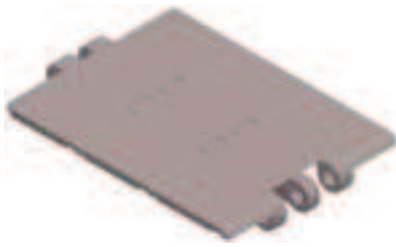
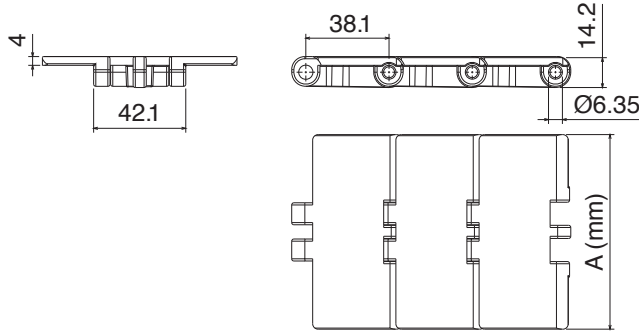


# 820-828-831



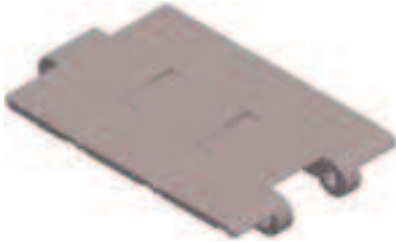
## 820 catena rettilinea / straight running chain / geradegängige Scharnierbandkette



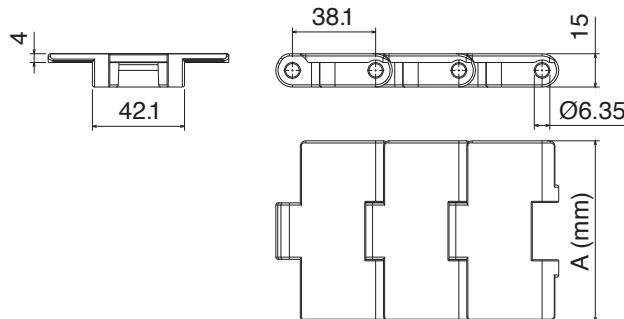
Part	Article-Nr.	Ref.	A	Weight Kg/m
1101	11010102	820 K325	82,5	0,89
1101	11010103	820 K330	83,8	0,90
1101	11010104	820 K350	88,9	0,91
1101	11010114	820 K400	101,6	0,95
1101	11010105	820 K450	114,3	1,00
1101	11010106	820 K600	152,4	1,22
1101	11010107	820 K750	190,5	1,43

	Material	Breaking load
01	LF Standard Material Acetal Resin	5000 N
03	MX Available also in <b>Max Performance</b>	4000 N
08	MK	4800 N

Pins: Austenitic Steel



## 828 catena rettilinea / straight running chain / geradegängige Scharnierbandkette



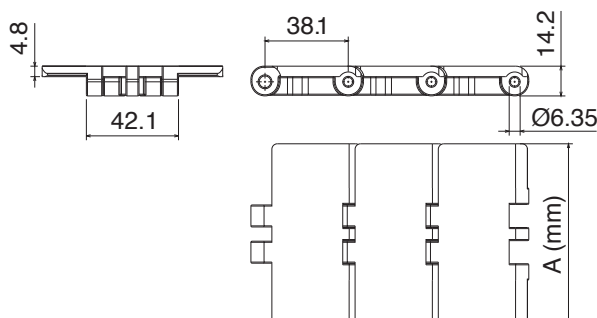
Part	Article-Nr.	Ref.	A	Weight Kg/m
1102	11020102	828 K325	82,5	1,07
1102	11020103	828 K330	83,8	1,13

	Material	Breaking load
01	LF Standard Material Acetal Resin	6000 N
03	MX Available also in <b>Max Performance</b>	5000 N
08	MK	5700 N

Pins: Austenitic Steel



## 831 catena rettilinea / straight running chain / geradegängige Scharnierbandkette



Part	Article-Nr.	Ref.	A	Weight Kg/m
1103	11030102	831 K325	82,5	1,00
1103	11030105	831 K450	114,3	1,28
1103	11030107	831 K750	190,5	1,80

	Material	Breaking load
01	LF Standard Material Acetal Resin	5000 N
03	MX Available also in <b>Max Performance</b>	4000 N
08	MK	4800 N

Pins: Austenitic Steel

