

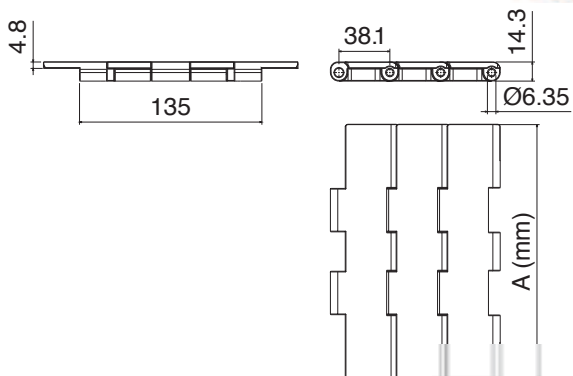
821 catena rettilinea / straight running chain / geradegängige Scharnierbandkette



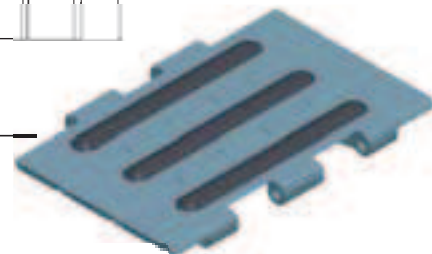
Part	Article-Nr.	Ref.	A	Weight Kg/m
1104	11040107	821 K750	190,5	2,55
1104	11040108	821 K1000	254,0	3,05
1104	11040109	821 K1200	304,8	3,35

	Material	Breaking load
01	LF Standard Material Acetal Resin	8000 N
03	MX Available also in Max Performance	7500 N
08	MK	7900 N

Pins: Austenitic Steel



821 GT catena rettilinea / straight running chain / geradegängige Scharnierbandkette

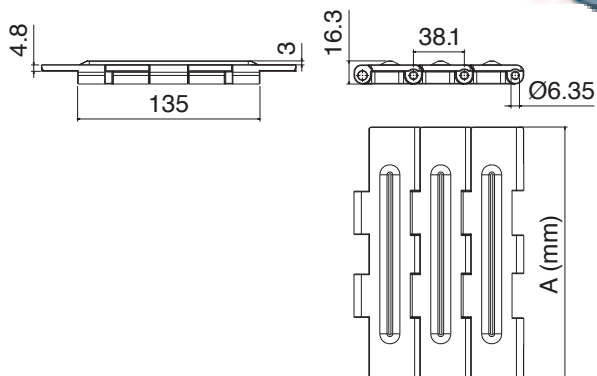


Part	Article-Nr.	Ref.	A	Weight Kg/m
1105	11050107	821 GT K750	190,5	2,25
1105	11050108	821 GT K1000	254,0	3,20
1105	11050109	821 GT K1200	304,8	3,70

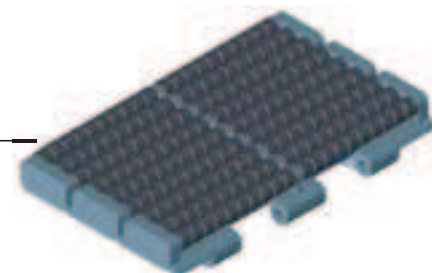
	Material	Breaking load
01	LFA Standard Material Acetal Resin	8000 N
03	MX Available also in Max Performance	7500 N

Rubber
TPR

Pins: Austenitic Steel



821 LBP catena rettilinea / straight running chain / geradegängige Scharnierbandkette



Part	Article-Nr.	Ref.	A	Weight Kg/m
1106	11060107	821 LBP K750	190,5	5,70
1106	11060108	821 LBP K1000	254,0	7,05
1106	11060109	821 LBP K1200	304,8	8,21

	Material	Breaking load
01	LFA Standard Material Acetal Resin	8000 N
03	MX Available also in Max Performance	7500 N

Roller
Acetal Resin

Pins: Austenitic Steel

