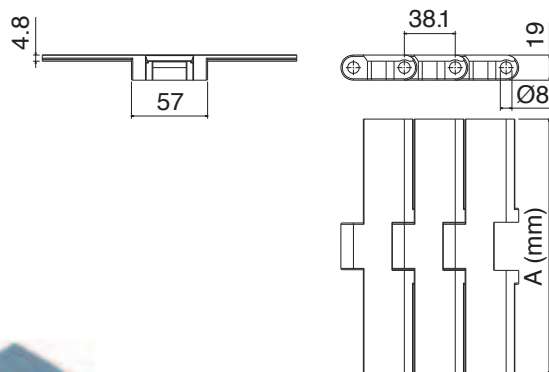


8257



8257 catena rettilinea / straight running chain / geradegängige Scharnierbandkette



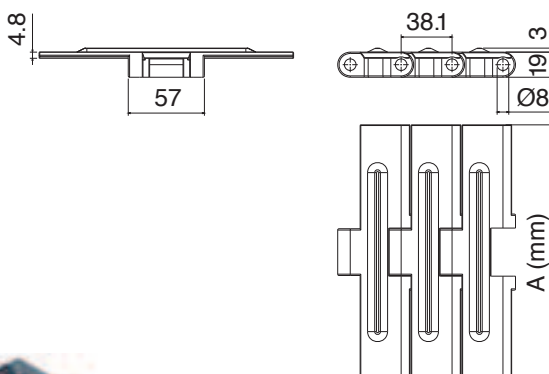
Part	Article-Nr.	Ref.	A	Weight Kg/m
1107	11070107	8257 K750	190,5	2,20
1107	11070108	8257 K1000	254,0	2,50
1107	11070109	8257 K1200	304,8	2,85

	Material	Breaking load
01	LF Standard Material Acetal Resin	10000 N
03	MX Available also in Max Performance	9000 N
08	MK	9700 N

Pins: Austenitic Steel



8257 GT catena rettilinea / straight running chain / geradegängige Scharnierbandkette

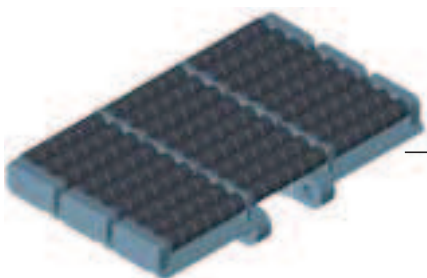


Part	Article-Nr.	Ref.	A	Weight Kg/m
1108	11080107	8257 GT K750	190,5	2,25
1108	11080108	8257 GT K1000	254,0	2,60
1108	11080109	8257 GT K1200	304,8	2,95

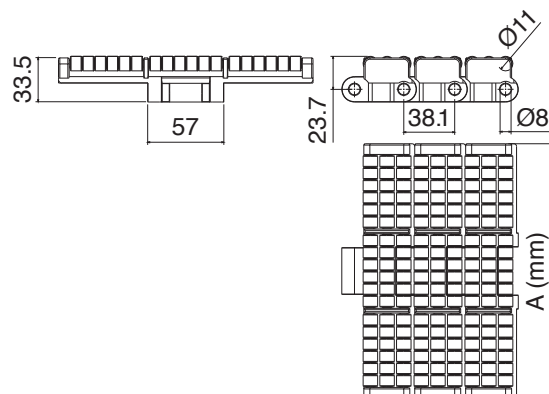
	Material	Breaking load
01	LFA Standard Material Acetal Resin	10000 N
03	MX Available also in Max Performance	9000 N

Rubber
TPR

Pins: Austenitic Steel



8257 LBP catena rettilinea / straight running chain / geradegängige Scharnierbandkette



Part	Article-Nr.	Ref.	A	Weight Kg/m
1109	11090107	8257 LBP K750	190,5	5,65
1109	11090108	8257 LBP K1000	254,0	7,15
1109	11090109	8257 LBP K1200	304,8	8,05

	Material	Breaking load
01	LFA Standard Material Acetal Resin	10000 N
03	MX Available also in Max Performance	9000 N

Roller
Acetal Resin

Pins: Austenitic Steel

