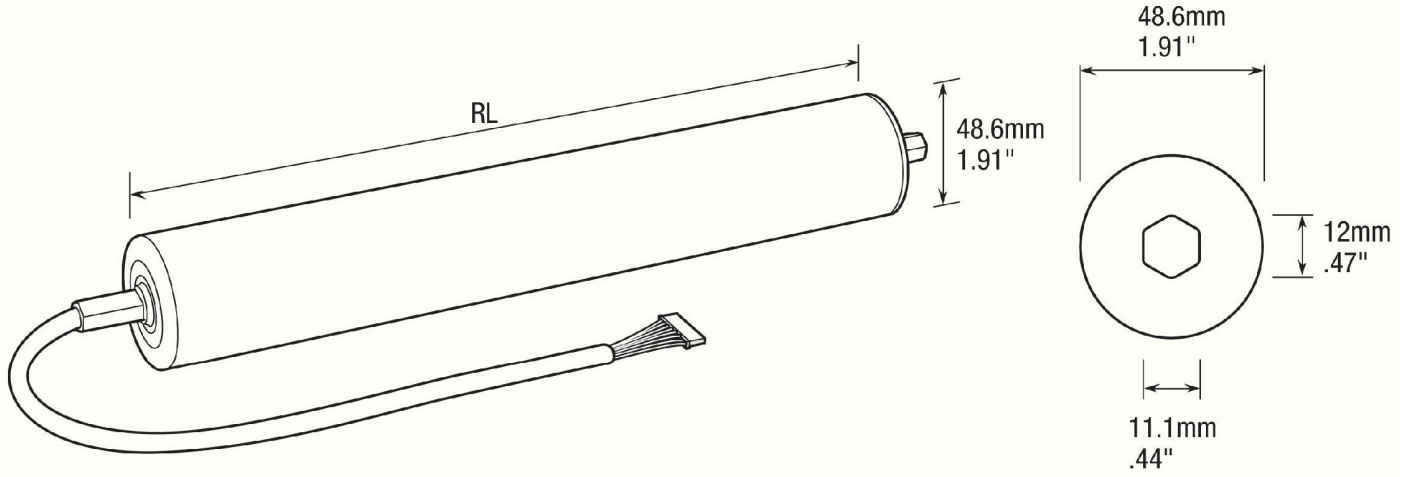


28W - Standard

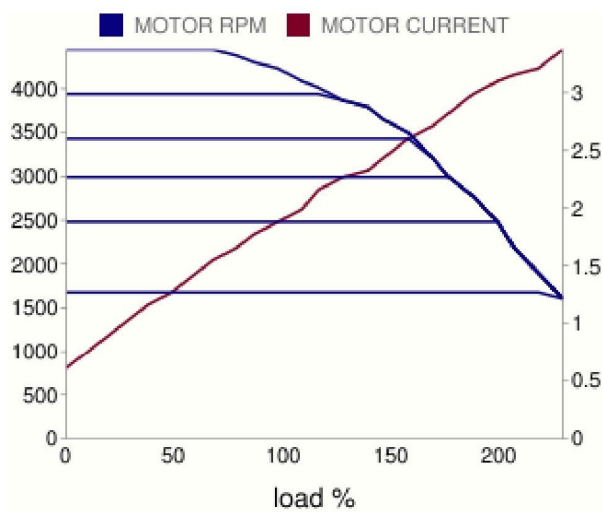
PR-AD-xx-xxx-x-x-xxxx
 28 W
 24V DC



For reference only, see CAD drawing for actual dimension data.

Roller Basics

Output (W)	Speed Code	Lower Speed (m/min)	Upper Speed (m/min)	Starting Torque (N-m)	Operating Torque (N-m)	Starting (A)	Operating (A)
28	25	9.6	26.6	6.2	1.6	4.0	1.9
28	35	14.2	39.2	4.2	1.1	4.0	1.9
28	45	17.3	47.8	3.4	0.9	4.0	1.9
28	60	23.6	65.4	2.5	0.7	4.0	1.9
28	75	28.8	79.7	2.1	0.5	4.0	1.9
28	135	51.9	143.5	1.1	0.3	4.0	1.9



Minimum Roller Length

Speed Code	Standard No Grooves (mm)	Standard Two Grooves (mm)	Brake No Grooves (mm)	Brake Two Grooves (mm)
25	330	372	n/a	n/a
35	310	354	n/a	n/a
45	310	354	n/a	n/a
60	310	354	n/a	n/a
75	310	354	n/a	n/a
135	310	356	n/a	n/a

Information based on 48.6mm dia. with EZ-24 card (for Tapered 35W roller, above data is measured at 600mm RL)