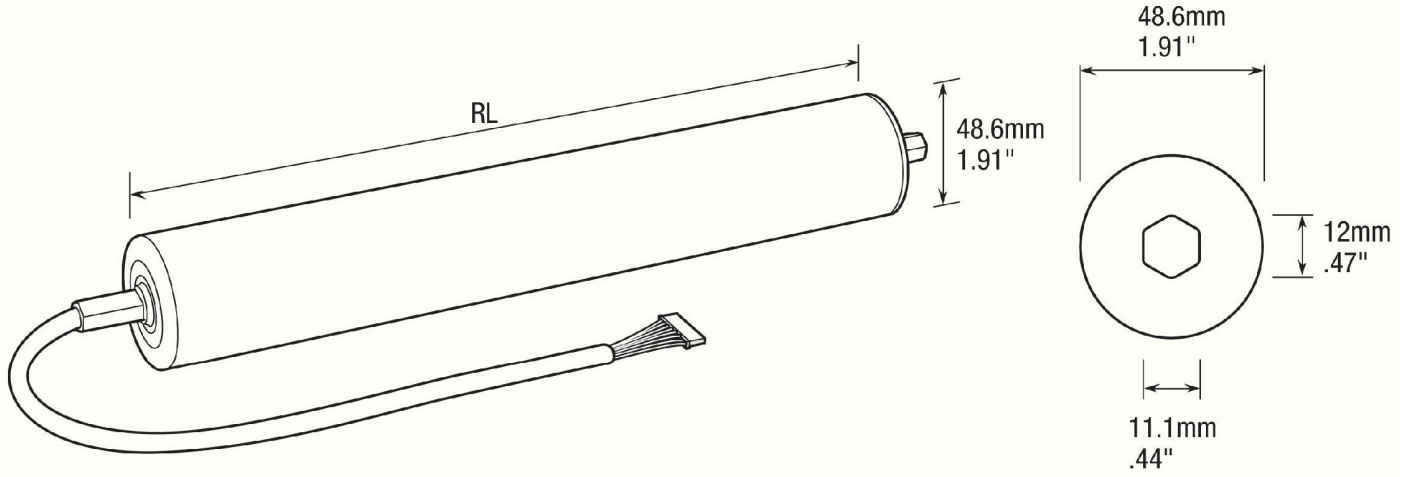


50W - High torque

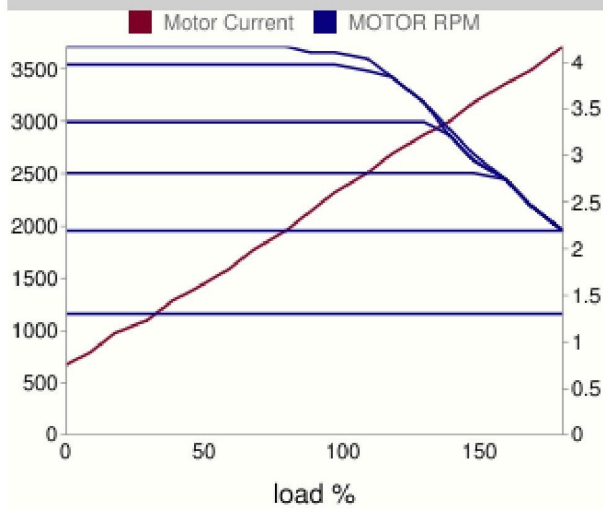
PR-AD-xx-xxx-x-x-xxxx
 50 W
 24V DC



For reference only, see CAD drawing for actual dimension data.

Roller Basics

Output (W)	Speed Code	Lower Speed (m/min)	Upper Speed (m/min)	Starting Torque (N-m)	Operating Torque (N-m)	Starting (A)	Operating (A)
50	30	10.0	32.5	6.9	2.1	4.0	3.0
50	40	12.2	39.7	5.7	1.7	4.0	3.0
50	55	16.7	54.2	4.1	1.3	4.0	3.0
50	65	20.4	66.2	3.4	1.0	4.0	3.0
50	120	36.6	119.1	1.9	0.5	4.0	3.0



Minimum Roller Length

Speed Code	Standard No Grooves (mm)	Standard Two Grooves (mm)	Brake No Grooves (mm)	Brake Two Grooves (mm)
30	325	371	n/a	n/a
40	325	371	n/a	n/a
55	325	371	n/a	n/a
65	325	371	n/a	n/a
120	320	366	n/a	n/a

Information based on 48.6mm dia. with EZ-24 card (for Tapered 35W roller, above data is measured on 600mm RL)